

4CH PhotoDetector Control Amplifier



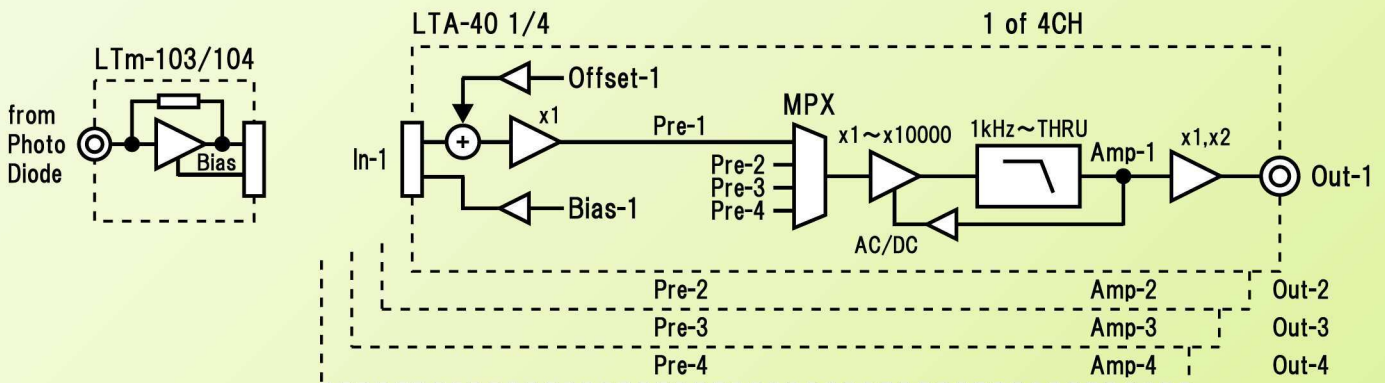
LTA-40

IV modules separate from the Main Amplifier



LTm-103 or LTm-104, either is included with the basic set.

4 independent Amplifiers, can be observed four IV systems the same time
Equipped a Multiplexer, can be assigned from 4 inputs to each Amplifier
Multi-Observation as the DC and AC amplification from one input signal



Rear Panel



Display examples

```
In1 Bias=- 5.8V tON
x1000 Ofst=+ 25.2mV
```

```
Monitor ← Amp4
OutLevel x2,x1,x2,x2
```

- * To each channel, PD BIAS voltage can be setting individually (When connect a LTm-103 or LTm-104)
- * The input unit allows adjustment of the OFFSET voltage of each channel
- * The amp section, the operation mode of DC or AC can be selected individually
- * Each amplifier has a MULTIPLEXER which can assign to any input channel
- * The internal LOW-PASS FILTER is useful for the observation of signal (Switching 5 ranges)
- * MONITOR output equipped (Select any signal from eight signals of 4 inputs and 4 outputs)
- * USB communication function (also can be set all the parameters using the general terminal software)



Price (without tax)

| | |
|------------------------------------|----------|
| LTA-40 & LTm-103 x1unit(basic SET) | ¥245,000 |
| LTA-40 | ¥230,000 |
| LTm-103 or LTm-104 | ¥18,500 |

- * The list price is a standard price including delivery fee. (only in Japan)
- * Full set with 4 units of the LTm-103 and/or LTm-104, and five or more sets multiple discount price are also available.

LTA-40 Specifications

| | |
|---------------------|---|
| Bias adjustment | -10.0V~+10.0V (0.1Vstep) |
| Offset adjustment | -200.0mV~+200.0mV (0.1mVstep) |
| Voltage gain | x1, x10, x100, x1000, x10000 |
| Gain error | <0.1% |
| Frequency response | DC~1.5MHz (1Vpp Input, x1, THRU) |
| fcut of the AC mode | 10Hz |
| Low-pass filter | 1kHz, 10kHz, 100kHz, Hi-CUT, THRU (The above is the design value. -12dB/oct) |
| Output level select | 6dB/0dB |
| Max. input level | ±8V (Bias=0V) |
| Max. output level | ±10V (Outlevel=6dB,Noload) |
| Input impedance | >2kΩ |
| Output impedance | 50Ω |
| Input connector | HR10G-7R-6S(73) |
| Output connector | BNC |
| Primary power | AC88V~264V |
| Power consumption | approx. 10W |
| Profile | H50, W200, D180 (Case size) |
| Weight | about 1.5kg |
| Accessory | Power cable |

- May change specifications or the appearance of the product for improvement.
- Connection cable with the IV module is possible to prepare on the customer side if necessary.
- Change the LPF frequency, other customization and OEM support is possible. Please contact us for more information.

LTm-103/104 Specifications

| | |
|-----------------------|---|
| Applying bias voltage | -10.0V~+10.0V |
| Conversion gain | 1000V/A (LTm-103) 10000V/A (LTm-104) |
| Conversion error | <0.1% |
| Input-referred noise | 5pA/√Hz |
| Frequency response | DC~2MHz (non BIAS) |
| Max. input current | ±10mA (LTm-103) ±1mA (LTm-104) |
| Max. output level | ±10V |
| Output impedance | 100Ω |
| Input connector | SMB |
| Output connector | HR10G-7R-6P(73) |
| Power | ±12V, below 5mA |
| Module size | H20,W50,D50 (Case size) |
| Module weight | 約50g |

- * requires a connection cable.
- * Option cable (sold separately), you can specify 1m, 2m, 3m when ordering product if needed.



LTm-103: 1000V/A
LTm-104: 10000V/A



Total Solution Laboratory

3-9-23-702, Shibazaki, Tachikawa,
Tokyo 190-0023, Japan

URL : <http://tslab.com>
Email : inquiry@tslab.com